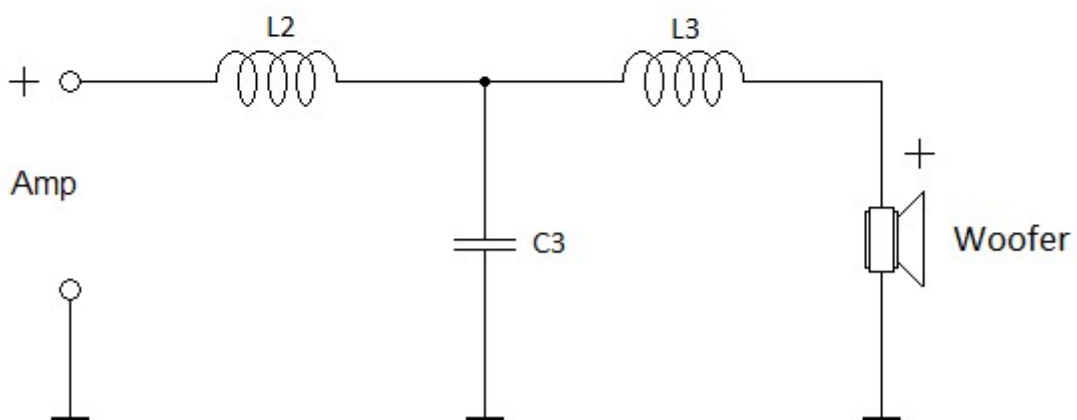
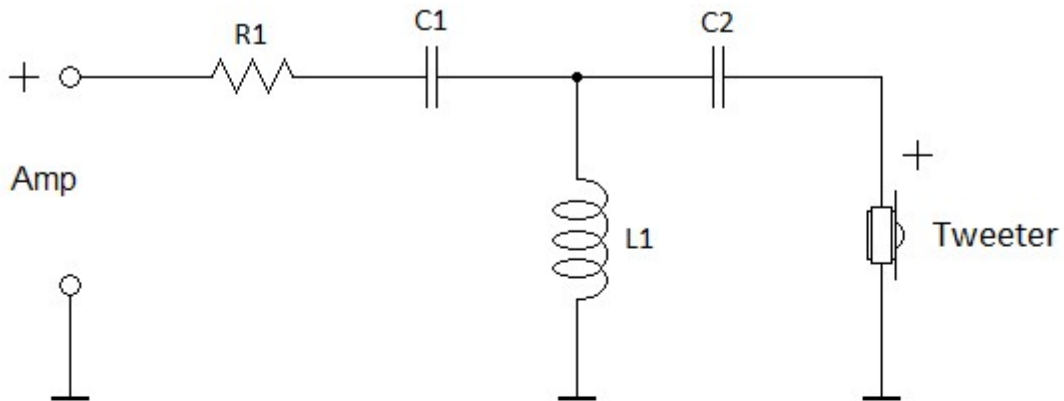


## Crossovers for PFC coaxial drivers

These are simple crossovers that work well with the SB Acoustics PFC coaxial drivers. Response curves are optimized 15° off-axis. Equalization networks can be used to tweak the response, depending on the application, but such networks are not strictly necessary. The crossovers shown here ensure good summation between the drivers.



Component values							
Driver	R1	C1	C2	L1	L2	L3	C3
SB12*	2.2 Ω	5.6 μF	15 μF	0.22 mH	1.5 mH	0.39 mH	15 μF
SB13*	1.5 Ω	5.6 μF	15 μF	0.22 mH	1.5 mH	0.22 mH	15 μF
SB16*	1.5 Ω	5.6 μF	15 μF	0.22 mH	1.5 mH	0.22 mH	15 μF

\* ...PFC25-4-COAX